

---

## Fireproof Black Box for Vehicle



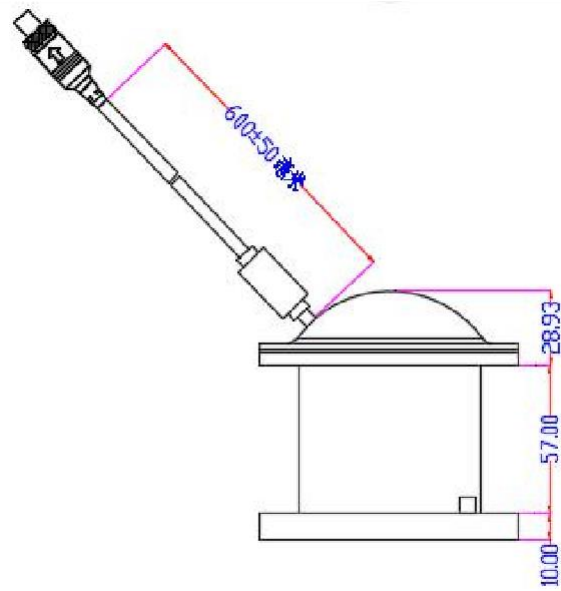
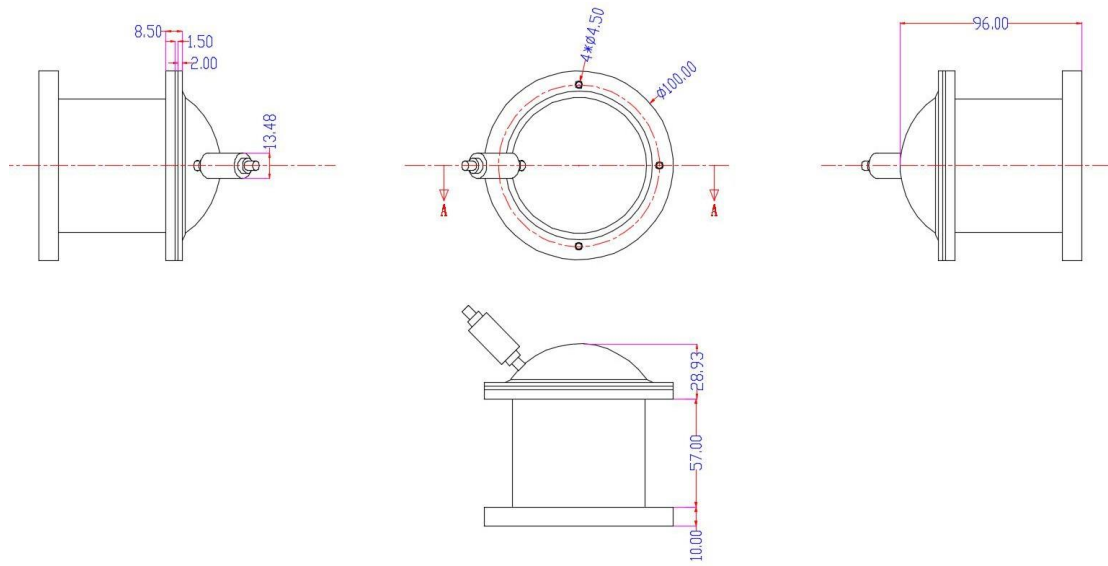
### I. Features :

- ▶ Pure solid-state high-reliability industrial-grade EMMC storage core;
- ▶ High-speed USB2.0 interface;
- ▶ M12-5PIN aviation connector;
- ▶ Can be connected to computer, DVR, T-BOX, etc.;
- ▶ Easy data recover after disaster

## II. Specification :

<b>Disaster recovery index</b>	Fire resistance time	15min flame temperature : 1100°C
		120min ember temperature : 260°C
	Deep water immersion	24Hour immersion depth : 100m
	High speed impact	50ms Impact strength : 150Gs
	Static extrusion	5min Squeeze pressure : 110KN
	Anti-knock performance	0.5ms 1008KPa/, ( 1kgTNT/1m )
	Sharp puncture	0.4cm <sup>2</sup> free fall : 23kg/1.5m
<b>Electrical Interface</b>	Interface Type	M12-5PIN aviation connector
	Data interface	USB 2.0
	Power input	5V±5% <0.5W
<b>Storage characteristics</b>	Writing Circulation	MLC : 3000    3DTLC : 3000
	Storage	MLC : <input checked="" type="checkbox"/> 32G <input type="checkbox"/> 64G <input type="checkbox"/> 128G <input type="checkbox"/> 256G
3DTLC : <input type="checkbox"/> 32G <input type="checkbox"/> 64G <input type="checkbox"/> 128G <input type="checkbox"/> 256G		
<b>main device</b>	Chip	INIC3861
	EMMC	FEMDRW032G-88A19;
	Firmware	NETAC_3860_3861_RAM_V001RC01
<b>structure</b>	Size	100mm×96mm
	Weight	1.5KG

### III. Size





Learn more: <https://www.icarvisions.com/Accessory/fireproof-black-box-for-vehicle-196.html>